

User Manual



Bud Bunker

4'x4' Grow Tent

Our Commitment

At Gambit we stand firmly behind the quality of each and every one of our products. If you have any questions, concerns or suggestions, please feel free to contact us.

CONTACT GAMBIT:

S: @GambitGrowing

P: 1-250-590-3434

E: Contact@GambitGrowing.com

Grow Tent

The Bud Bunker 4'x4' cannabis grow tent is a high-quality and durable solution for indoor plant cultivation. It boasts 25mm poles and a sturdy 1680D canvas construction, making it 50% stronger and more supportive than standard grow tents.

With heavy-duty zippers and a removable floor tray for easy cleaning, the Bud Bunker 4'x4' cannabis grow tent is easy to set up and maintain. Its compact size makes it ideal for growers with limited space, while its durable construction and weight support make it a reliable choice for novice and experienced growers alike.

CONTACT GAMBIT:

S: @GambitGrowing

P: 1-250-590-3434

E: Contact@GambitGrowing.com

Key Features

CANVAS

Mylar canvas with extra rugged 1680D density rating. Lightproof exterior and highly reflective diamond interior.

WINDOW

Conveniently located viewing window provides the ability to monitor your growing environment without opening the tent.

ACCESS

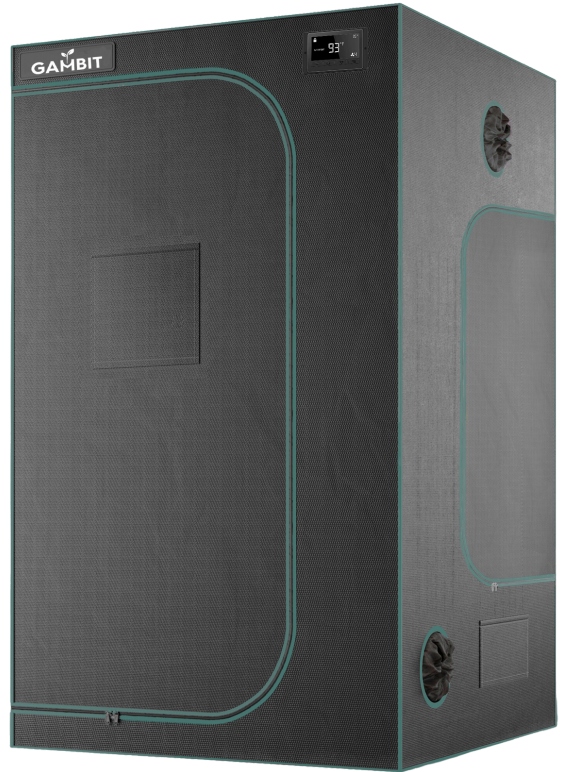
Multiple access ports that double cinch to prevent light leaks around your ducts and other accessories.

FRAME

Industry leading 25mm steel tubes and connectors establish a robust framework for the tent and accessories.

TRAY

Includes interior lining tray to catch debris and keep the growing area clean.



CONTACT GAMBIT:

S: @GambitGrowing

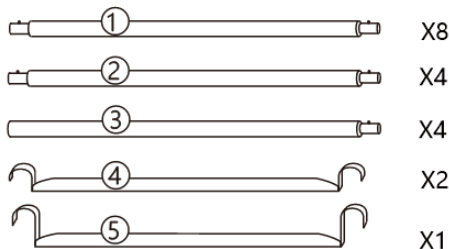
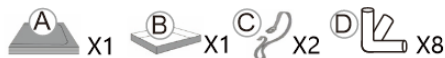
P: 1-250-590-3434

E: Contact@GambitGrowing.com

Tent Setup

Components

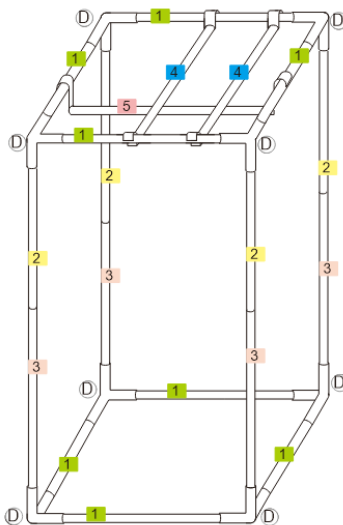
- A) Tent
- B) Floor Tray
- C) Filter Strap
- D) Corner Adapter
- 1-5 Framework Support



Pole Assembly

Insert the eight (1) poles and into the floor end of the corner (D) pieces to create two bases.

When assembling, make sure the plastic feet of each corner (D) piece faces the floor. This will prevent any tearing from the connectors.



CONTACT GAMBIT:

S: @GambitGrowing

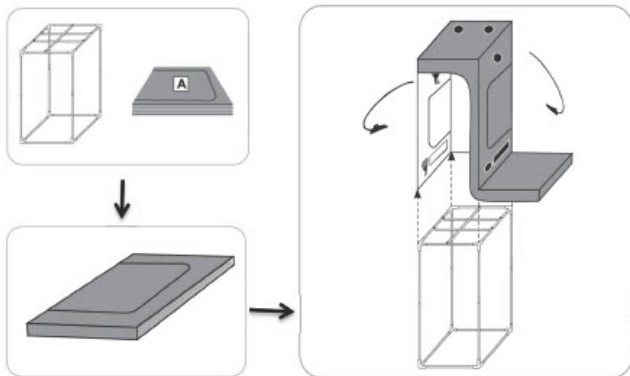
P: 1-250-590-3434

E: Contact@GambitGrowing.com

Tent Setup

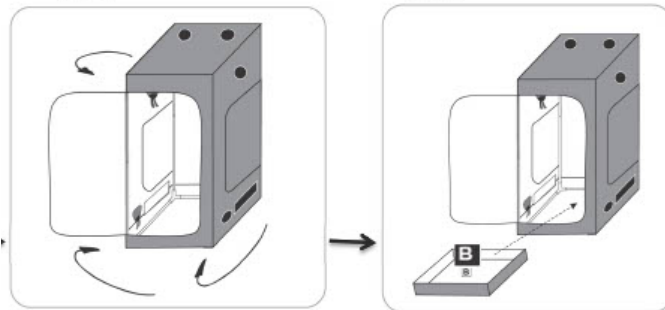
Tent Assembly

Once the frame is assembled, unzip the floor of the tent shell so the bottom of the tent is open. From there, slip the tent shell over top of the frame. Once the shell is properly situated, pull the tent floor back under the frame and zip the floor back to tent shell.



Tent Placement

Once the tent is properly assembled plan ahead as to how you want it situated so you have the best access possible to the many vents and doors.



CONTACT GAMBIT:

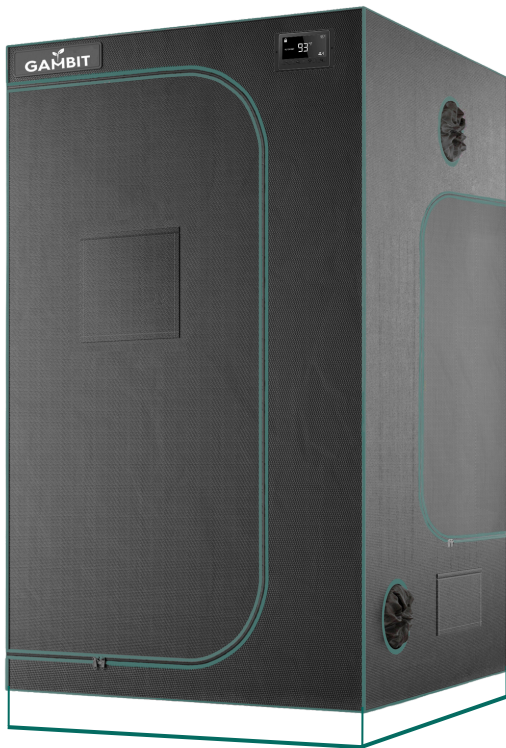
S: @GambitGrowing

P: 1-250-590-3434

E: Contact@GambitGrowing.com

Tent Dimensions

Bud Bunker 4'x4'



47.2" (120 cm)

47.2" (120 cm)

78.7"
(200 cm)

Duct Sizes:

2x - 3" Duct/Port

6x - 8" Duct/Port

Mesh Vents:

3x - 5.9" x 13.7" (15x35cm)

Viewing Window:

1x 10"x10" (25.4x25.4cm)

Suggested Fan:

6" Inline Fan

CONTACT GAMBIT:

S: @GambitGrowing

P: 1-250-590-3434

E: Contact@GambitGrowing.com

Our Warranty

At Gambit we stand firmly behind the quality of each and every one of our products. If you are the original owner of the product and experience any issues or defects within the first 3 years from the date of purchase, we will repair or replace the unit. We value both your support and hard-earned money so please help us to help you if you experience any issues with a Gambit product. Any modifications or alterations to our products will void the warranty. For international orders, we require the customer to cover the shipping costs for any replacement or repair.

CONTACT GAMBIT:

S: @GambitGrowing

P: 1-250-590-3434

E: Contact@GambitGrowing.com